

V1491MP-T Series

HD 2MP Integrated IP PTZ Camera System

Infinova[®]
The Integrator's Manufacturer



- Built-in with 20X HD integrated camera module
- Resolution up to 1920×1080@30fps
- Three Simultaneous Video Streams: Dual H.264 high profile & Scalable M-JPEG
- Onvif Profile S
- Remote PTZ control
- Area zoom and image PTZ, image overlapping
- Multiple white balance modes
- Support E-zoom
- Support defog processing
- Local recording
- Presets, AutoPans, Patterns, AutoScan, Timed Tour, Normal Tour and Home Return
- Privacy mask, motion detection
- High strength aluminum-alloy casting, heat and corrosion resistant
- Window wiper, built-in heater and window defroster
- Operational in 90mph wind conditions, withstanding wind velocity of up to 130mph
- RS485 remote control and analog video output
- IP66 environmental rating
- Upgrade online

Infinova's V1491MP-T series HD megapixel integrated IP PTZ camera system features a set of full digital real-time image acquisition system to deliver clear images at high frame rate and excellent signal-to-noise ratio.

V1491MP-T series which is built-in with 20X HD camera module provides 1920×1080@30fps resolution, H.264/M-JPEG compression formats, and three simultaneous video streams.

The PTZ cameras offer a user-friendly GUI interface, which makes it easy to adjust the video parameters and perform the PTZ operation. In addition, functions like area zoom and image PTZ are also available.

The PTZ cameras also feature such functions as Presets, Patterns, AutoPans, AutoScan and Normal Tour.

Its powder-coated aluminum construction, absolute operating temperature range of -40°F~140°F (-40°C~60°C) and built-in heater and defroster automatically enabled at low temperatures makes it an ideal surveillance solution for both indoor and outdoor applications.

Technical specifications

Lens

Optical Zoom	20X
Aperture/ Focal Length	F1.6~F3.5, f= 4.7~94mm
Angle of View (H)	59.5° (Wide) ~3.2° (Tele)
Min. Work Distance	0.01m (Wide) ~1.0m (Tele)

Camera

Image Sensor	1/2.8" CMOS
Scanning System	Progressive Scanning
Effective Pixels	2.0Mpx
S/N Ratio	>50dB
Sensitivity	Color mode: 0.04lux @F1.6 (AGC ON) B/W mode: 0.005lux @F1.6 (AGC ON)
Sync System	Internal
Privacy Mask	16 areas
Iris	Auto, Manual, M/A
Focus	Auto, Manual, M/A
Shutter	Auto (1/25s ~ 1/10000s)
DSS	Available
Image Mirror	Off/H-mirror/V-mirror/HV-mirror
DNR	OFF/Level 1~7
White Balance	AUTO/MANU/INDOOR/OUTDOOR/ATW/ OUTDOOR AUTO/SODI AUTO
AGC	Available
WDR	ON/OFF
BLC	ON/OFF
Anti-fog	Available
Others	Sharpness, contrast, brightness, and saturation adjustable; Slow AE, chroma suppression, edge color suppression

Functions

Programmable Presets	1~255
Programmable Patterns	4
Programmable Autopans	4
Normal Tours	6 (each tour can be associated with 14 acts, including Preset 1~32, Pattern 1~4, AutoPan 1~4)
Home Return	Available
Timed Tours	Available
Auto Scan	Available
Motion Detection	4 areas
Area Zoom	Available
Web Server	Available
Upgrade Online	Available

Video

Compression	H.264 high profile/M-JPEG
Max. Resolution	1920×1080 @ 30fps
Data Rate	Variable bit rate (vbr); Constant bit rate (cbr): 256Kbps~10000Kbps
Network Delay	<300ms

IP

Network Port	1 RJ45 10/100M self-adaptive Ethernet port
Network Protocol	IPv4, TCP, UDP, IGMP, DHCP, FTP, SNMP(V3), SMTP, NTP, RTP, RTSP, RTCP, HTTP, HTTPS, TSL, SSL, 802.1X, QoS, PPPoE, DNS, ARP, ICMP

Mechanical

Variable Speed	Pan: 0.1°~50°/s; Tilt: 0.1°~45°/s
Preset Speed	Pan: 85°/s (max.); Tilt: 40°/s (max.)
Rotation Angle	Pan: 360°; Tilt: +40° ~ -90°

Electrical

Power Supply	24VDC/24VAC self-adaptive
Power Consumption	24VAC: 76W (w/ heater); 24VDC: 67.2W (w/ heater)

Environmental

Atmospheric Pressure	≤1.5MPa
Operating Temp.	-40°F~140°F (-40°C~+60°C)
Storage Temp.	-4°F~140°F (-20°C~+60°C)
Operating Humidity	0~95%RH (non-condensing)
Defroster	Thermostatically controlled, Turn on at 50°F±9°F (10°C±5°C); Turn off at 86°F±9°F (30°C±5°C)

Physical

Construction	High-strength aluminum alloy, stainless steel
Environmental Rating	IP66
Mounting	Surface, wall, pole side, corner, pole top
Window Type	HD clear glass
Window Size	2.32" × 2.32" (59mm×59mm)
Load	Pan: 22lbs. (10kg); Tilt: 7.7lbs. (3.5kg)
Unit Weight	22.27 lbs (10.1kg)
Shipping Weight	31.97 lbs (14.5kg)
Box Dimensions (L×W×H)	22.99"×16.81"×10" (584mm×427mm×254mm)

Certifications and Approval

Product Certifications	CE, FCC, ISO 9001: 2008
------------------------	-------------------------

Ordering information

V1491MP-20T23L HD 2MP Integrated IP PTZ Camera System (20X optical zoom, day/night, 1/2.8-inch progressive scan CMOS, H.264/M-JPEG, NTSC/PAL, 24VDC/24VAC)

Note: Mounting brackets and power supply shall be ordered separately.

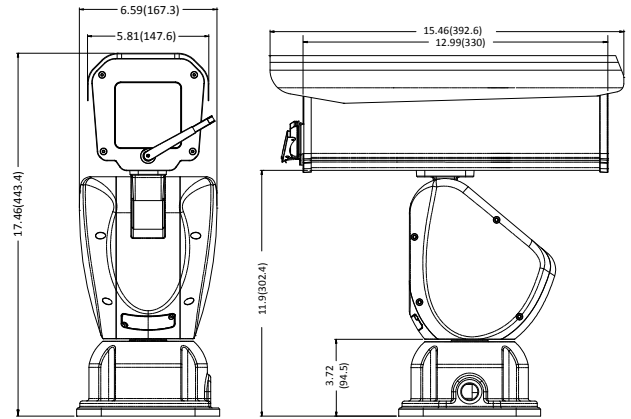
Recommended Installation Mounts

V1662-W1: Wall Mount, 15"
 V1662-S1: Pole Side Mount, 15"
 V1662-C1: Corner Mount

Power Supply

N3925-24D-3 Power Supply, 24VDC, 3.75VA, 90W, Plug-In, 110-230VAC

Dimensions

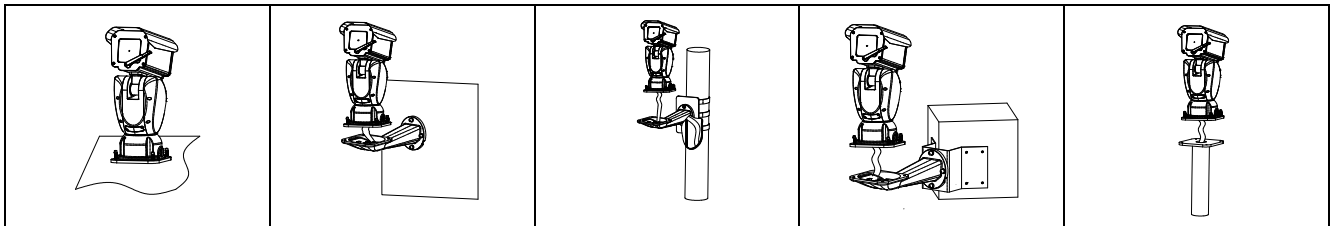


Front View

Side View

(Unit: inch, in the parentheses is mm)

Mounting



Surface Mount

Wall Mount

Pole Side Mount

Corner Mount

Pole Top Mount